



Model PSC312 Pressure Transducer for Heavy Industry and General Purpose Industrial Applications

PSC312 Pressure Transducer was developed for all types of industrial applications. The design is based on high temperature, inorganically bonded, media isolated, piezoresistive technology that offers reliable and accurate measurements under harsh environmental conditions. The robust construction of the PSC312 provides stable operation when subjected to shock and vibration. Suitable for use in OEM machinery, process control, automation, plastic and alloy injection molding machines, hydraulic pumps, etc.

State of the art design machined from a solid piece of stainless steel provides a leak-proof, all metal sealed system. There are no O-rings, welds or organics exposed to the pressure media. Features digital compensation and temperature correction for high accuracy and stability.

- Gauge Pressures
- ASIC Temperature Compensated
- Robust construction to stand high vibrations
- 2.0 % Total Error Band
- Recommended load resistance: >10,000 ohms
- Wetted Parts: 17-4PH SS (other material available)
- Process Fitting: see column Z
- Electrical Connection: Packard connector

Sample Applications:

- Process Automation & Control
- Plastic and Alloy injection machines
- Test and Measurement Equipment
- Factory Automation
- Energy Management
- Heavy industry

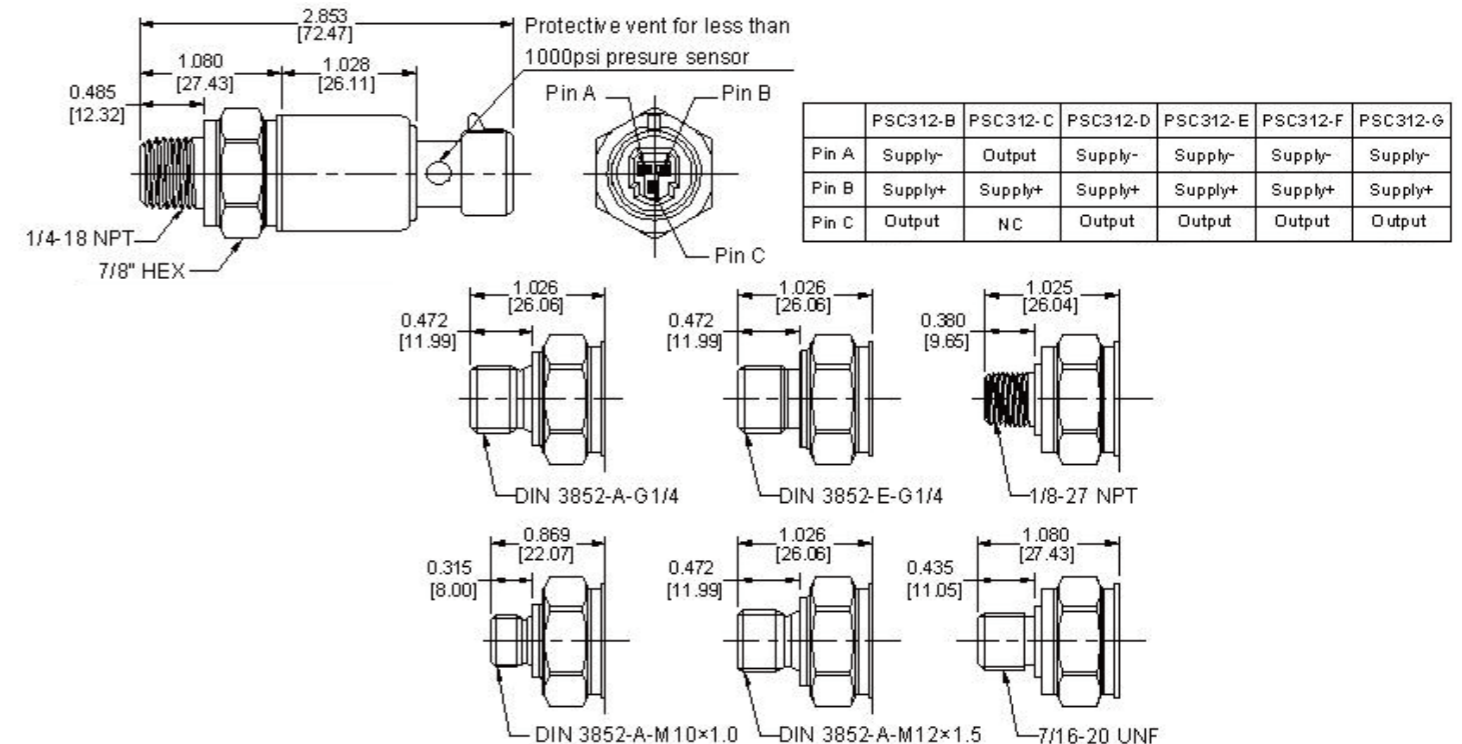


Model PSC312 Pressure Transducer for Heavy Industry and General Purpose Industrial Applications

Performance (specified @ 25 °C)	
Accuracy (Best fit straight line)	± 0.5% BFSL
Error	± 2.0% FS TEB
Zero/Span Offset Tolerance	± 1.0% FS
Stability (typical)	< ±0.35% full scale per year
Compensated Temperature Range	0°C~85°C
Operating Temperature Range	-10°C~100°C
Storage Temperature Range	-20°C~125°C
Burst Pressure	3.5 X Full Scale
Proof Pressure	2 X Full Scale
Pressure Cycles	4 million full scale cycles
Mechanical Vibration	20 g, 10 - 2000 Hz
Mechanical Shock	IEC 60068-2-27, 30 g, 11 ms pulse
Package Protection	IP65 (IEC60529)



Structure reference (Unit: Inch[mm])



PSC312 Ordering Model NO.: PSC312-X-Y-Z-X			
X	Y	Z	X
Output Type	Pressure Range	Port Type	Special configuration
B = 0.5~4.5V (Ratiometric)	3 = 100 psi 4 = 250 psi	1 = 1/8-27 NPT 2 = 1/4-18 NPT	Consult factory
C = 4~20mA	5 = 500 psi	3 = DIN3852-A-G1/4	
D = 1.0~5.0V	6 = 1000 psi	4 = DIN3852-E-G1/4	
E = 0.5~4.5V	7 = 2500 psi	5 = DIN3852-A-M10*1.0	
F = 0~10V	8 = 5000 psi	6 = DIN3852-A-M12*1.5	
G = 0~5V	9 = 10000 psi	7 = 7/16-20 UNF	
X = Special	A = 15000 psi B = 20000 psi X = Special	X = Special	

Electrical data	PSC312-B (Ratiometric)	PSC312-C (4~20mA)	PSC312-D (1.0~5.0VDC)	PSC312-E (0.5~4.5VDC)	PSC312-F (0~10VDC)	PSC312-G (0~5VDC)
Supply Voltage	4.75 ~ 5.25 VDC	9 ~ 32 VDC	8 ~ 32 VDC	8 ~ 32 VDC	12 ~ 32 VDC	8 ~ 32 VDC
Output	0.5 ~ 4.5 VDC	4 ~ 20 mA	1.0 ~ 5.0 VDC	0.5 ~ 4.5 VDC	0 ~ 10 VDC	0 ~ 5 VDC
Supply Current	< 3 mA	< 30 mA	< 3 mA	< 3 mA	< 12 mA	< 3 mA
Zero Output	0.5 VDC	4 mA	1.0 VDC	0.5 VDC	0 VDC	0 VDC
Full Scale Output	4.5 VDC	20 mA	5.0 VDC	4.5 VDC	10 VDC	5 VDC